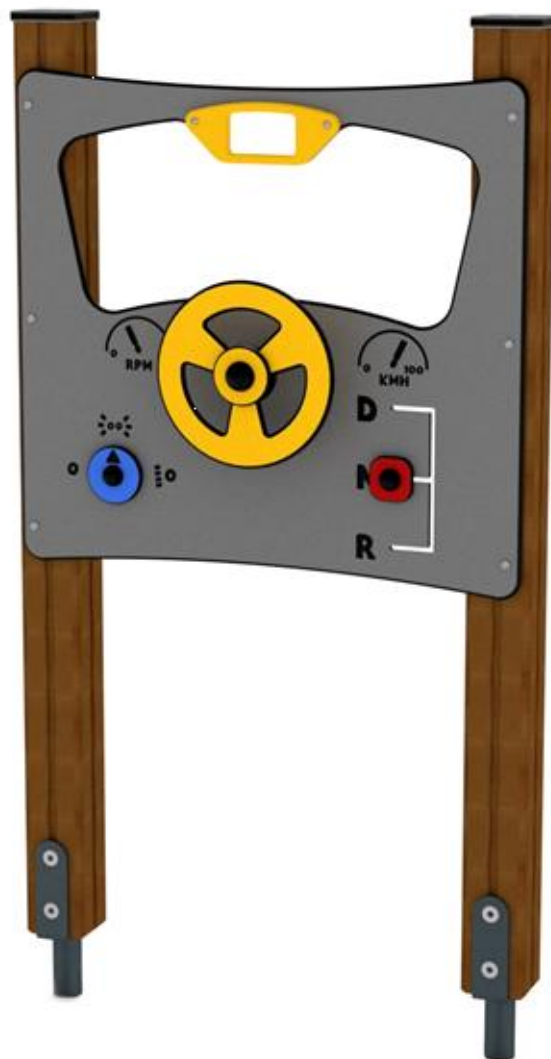


• 3314D (D_KA) CAR COCKPIT PANEL

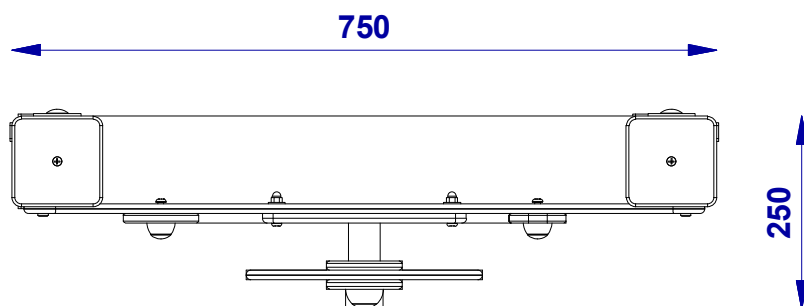


• Technical data:

Dimensions	0,75 x 0,25 m
Safe zone	0,75 x 0,25 m
Total height	1,45 m
Age	1+
Conformity with PN-EN 1176	YES

● 3314D (D_KA) CAR COCKPIT PANEL

Set contents:	
Module:	Qty:
640.S.HD.024 BKA	1



Construction	Galvanized and powder coated steel	
	Stainless steel	
	Square 90x90 glued laminated timber, impregnated	✓
Connectors	Stainless and galvanized	✓
	Polyethylene plastic (HDPE)	✓
Decorative elements	Polycarbonate (PC)	
	Hardwood plywood painted with certified chalkboard paint	
	Galvanized and powder coated steel	✓
Metal elements	Stainless steel	✓
	Stainless steel with polyethylene plastic (HDPE)	
Slide	Whole polyethylene plastic (LLDPE)	
	Whole stainless steel	
	Polypropylene rope with steel core	
Ropes	Aluminum and polyamide	
Rope connectors	Polyamide	✓
Caps	Polyethylene plastic (HDPE) with antiskid layer	
	Grooved board made of solid wood	
Anchoring	Construction elements - 800 mm in ground	
	Powder coated steel post - 800 mm in ground	✓
Chain	Stainless steel	
	Galvanized steel	
Slings	Stainless steel with bearings	
Seats	Flat with aluminum core, covered with rubber, certified	
	Bucket with aluminum core, covered with rubber, certified	
	Rope "Birds nest" with metal core, certified	
Spring	20 x 200 x 400 mm - certified	

In relation to free fall height / HIC, norm PN-EN 1176-1 allow the following impact absorbing surfaces.

Material	Grain size [mm]	Depth [mm]	Critical fall height [mm]
Turf	-	-	≤1000
Bark	20 - 80	200	≤2000
		300	≤3000
Wood chips	5 - 30	200	≤2000
		300	≤3000
Sand	0,25 - 8	200	≤2000
		300	≤3000
Gravel	0,25 - 8	200	≤2000
		300	≤3000
Other	as tested to HIC (see EN 1177)		as tested

It is required to put particular emphasis on the level of loose surface material, fill in to the proper level regularly and remove the items that may cause injury (glass, loose stones, sticks and other loose objects).

Proposal visualisation. Colors can be different. Ask for available options.