

• **11088 METAL SET**



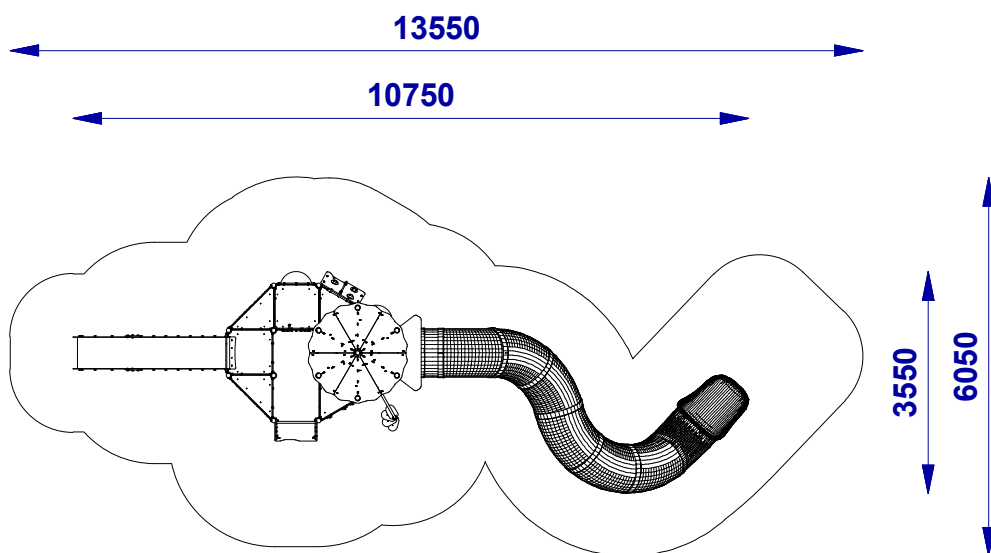
• **Technical data:**

Dimensions	10,75 x 3,55 m
Safe zone	13,55 x 6,05 m
Total height	4,7 m
Free fall height	1,8 m
Age	3+
Conformity with PN-EN 1176	YES
Platform	1x 2,6 m; 1x 1,8 m; 2x 1,6 m; 1x 1,4 m; 1x 1,2 m; 2x 1,0 m; 1x 0,8
Slide	1x 2,75 m; 1x 1,4 m





## ● 11088 METAL SET



Set contents:	
Module:	Qty:
640.SR.HD.001 BP_WKL	4
640.SR.HD.003 BAL	1
640.SR.HD.009 BBUL	2
640.SR.HD.014 BS	1
640.SR.HD.015 BKL	1
640.SR.HD.034 BPLOT45	2
640.SR.HD.040 D6	1
640.SR.HD.048 BDZ	1
640.SR.W.002.00800 WW_800	1
640.SR.W.003.01400 SL_1400	1
640.SR.W.012.01000 DWS_1000	1
640.SR.W.026.01000 RSS_1000	1
640.SR.W.032.02750 SLTP_2750	1
640.SR.WR.002.01000 W4_1000	1
640.SR.WR.002.01400 W4_1400	1
640.SR.WR.002.01800 W4_1800	2
640.SR.WR.004.01200 W3_1200	1
640.SR.WR.004.01600 W3_1600	1
640.SR.WR.007.00800 W3R_800	2
640.SR.WR.007.01000 W3R_1000	3
640.SR.WR.007.01600 W3R_1600	1
640.SR.WR.011.02600 W6D6_2600	1

Construction	Galvanized and powder coated steel	✓
	Stainless steel	
	Square 90x90 glued laminated timber, impregnated	
Connectors	Stainless and galvanized	✓
Decorative elements	Polyethylene plastic (HDPE)	✓
	Polycarbonate (PC)	✓
	Hardwood plywood painted with certified chalkboard paint	
Metal elements	Galvanized and powder coated steel	✓
	Stainless steel	✓
Slide	Stainless steel with polyethylene plastic (HDPE)	✓
	Whole polyethylene plastic (LLDPE)	✓
	Whole stainless steel	
Ropes	Polypropylene rope with steel core	✓
Rope connectors	Aluminum and polyamide	✓
Caps	Polyamide	✓
Platforms	Polyethylene plastic (HDPE) with antiskid layer	✓
	Grooved board made of solid wood	
Anchoring	Construction elements - 800 mm in ground	✓
	Powder coated steel post - 800 mm in ground	
Chain	Stainless steel	
	Galvanized steel	
Slings	Stainless steel with bearings	
Seats	Flat with aluminum core, covered with rubber, certified	
	Bucket with aluminum core, covered with rubber, certified	
	Rope "Birds nest" with metal core, certified	
Spring	20 x 200 x 400 mm - certified	

In relation to free fall height / HIC, norm PN-EN 1176-1 allow the following impact absorbing surfaces.

Material	Grain size [mm]	Depth [mm]	Critical fall height [mm]
Turf	-	-	≤1000
Bark	20 - 80	200	≤2000
		300	≤3000
Wood chips	5 - 30	200	≤2000
		300	≤3000
Sand	0,25 - 8	200	≤2000
		300	≤3000
Gravel	0,25 - 8	200	≤2000
		300	≤3000
Other	as tested to HIC (see EN 1177)		as tested

It is required to put particular emphasis on the level of loose surface material, fill in to the proper level regularly and remove the items that may cause injury (glass, loose stones, sticks and other loose objects).

Proposal visualisation. Colors can be different. Ask for available options.