

● **11085 METAL SET**



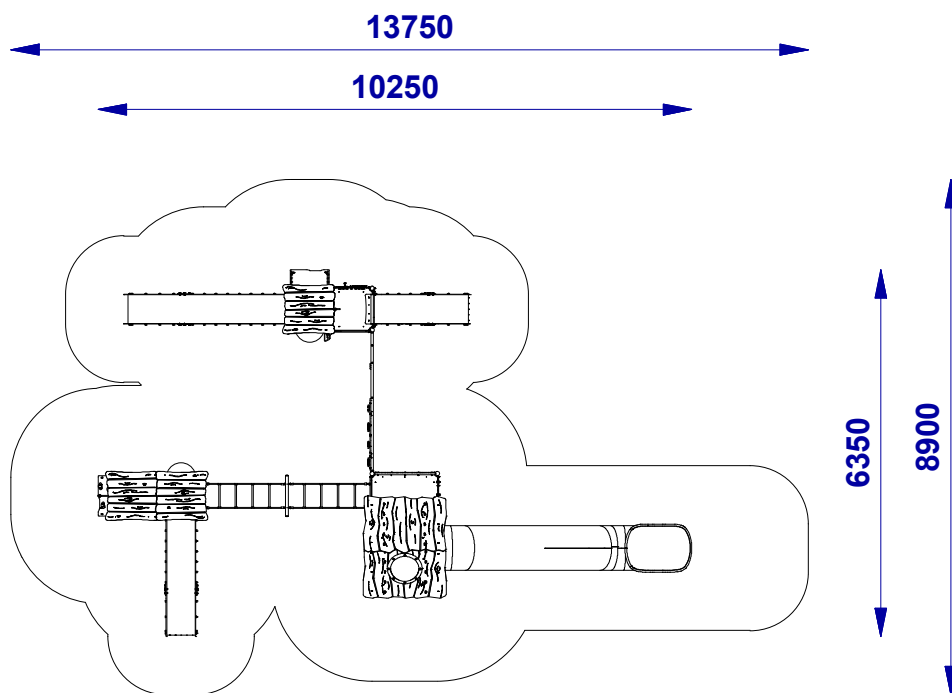
● **Technical data:**

Dimensions	10,25 x 6,35 m
Safe zone	13,75 x 8,9 m
Total height	3,45 m
Free fall height	1,8 m
Age	3+
Conformity with PN-EN 1176	YES
Platform	1x 1,8 m; 1x 1,6 m; 2x 1,2 m; 2x 1,0 m
Slide	1x 2,0 m; 1x 1,6 m; 1x 1,2 m; 1x 1,0 m





● 11085 METAL SET



Set contents:	
Modul:	Ilość:
640.SR.HD.001 BP_WKL	1
640.SR.HD.003 BAL	1
640.SR.HD.006 SKL	1
640.SR.HD.009 BBUL	2
640.SR.HD.015 BKL	1
640.SR.HD.016 LIC	2
640.SR.HD.017 BSP	1
640.SR.HD.039 D1	3
640.SR.HD.046 BPL0T	1
640.SR.P.018.0 PLV	2
640.SR.P.019.0 SWL	1
640.SR.W.002.01000 WW_1000	1
640.SR.W.003.01000 SL_1000	1
640.SR.W.003.01200 SL_1200	1
640.SR.W.003.01600 SL_1600	1
640.SR.W.011.01000 WO_HD_1000	1
640.SR.W.012.01000 DWS_1000	1
640.SR.W.012.01200 DWS_1200	1
640.SR.W.028.0 S_WDOM	1
640.SR.W.029.02000 SLN_2000	1
640.SR.WR.001.01000 W4D_1000	1
640.SR.WR.001.01200 W4D_1200	1
640.SR.WR.001.01600 W4D_1600	1
640.SR.WR.002.01000 W4_1000	1
640.SR.WR.012.0 WDOM	1
640.SR.WR.014.01200 W4S_1200	1

Construction	Galvanized and powder coated steel	✓
	Stainless steel	✓
	Square 90x90 glued laminated timber, impregnated	✓
Connectors	Stainless and galvanized	✓
		✓
Decorative elements	Polyethylene plastic (HDPE)	✓
	Polycarbonate (PC)	✓
	Hardwood plywood painted with certified chalkboard paint	✓
Metal elements	Galvanized and powder coated steel	✓
	Stainless steel	✓
Slide	Stainless steel with polyethylene plastic (HDPE)	✓
	Whole polyethylene plastic (LLDPE)	✓
	Whole stainless steel	✓
Ropes	Polypropylene rope with steel core	✓
Rope connectors	Aluminum and polyamide	✓
Caps	Polyamide	✓
Platforms	Polyethylene plastic (HDPE) with antiskid layer	✓
	Grooved board made of solid wood	✓
Anchoring	Construction elements - 800 mm in ground	✓
	Powder coated steel post - 800 mm in ground	✓
Chain	Stainless steel	✓
	Galvanized steel	✓
Slings	Stainless steel with bearings	✓
Seats	Flat with aluminum core, covered with rubber, certified	✓
	Bucket with aluminum core, covered with rubber, certified	✓
	Rope "Birds nest" with metal core, certified	✓
Spring	20 x 200 x 400 mm - certified	✓

In relation to free fall height / HIC, norm PN-EN 1176-1 allow the following impact absorbing surfaces.

Material	Grain size [mm]	Depth [mm]	Critical fall height [mm]
Turf	-	-	≤1000
Bark	20 - 80	200	≤2000
		300	≤3000
Wood chips	5 - 30	200	≤2000
		300	≤3000
Sand	0,25 - 8	200	≤2000
		300	≤3000
Gravel	0,25 - 8	200	≤2000
		300	≤3000
Other	as tested to HIC (see EN 1177)		as tested

It is required to put particular emphasis on the level of loose surface material, fill in to the proper level regularly and remove the items that may cause injury (glass, loose stones, sticks and other loose objects).

Proposal visualisation. Colors can be different. Ask for available options.